

**Talos** | EVERY FIELD HAS  
ITS MASTER

# PiDan

( Home Dispenser for 3L Talos Keg )



## Talos Technology Corporation

Add: No.52,Changshun Road,Shamen  
Town,Yuhuan,Zhejiang 317607 China

Tel: +86-576 8749 6787  
Fax:+86-576 8749 8145

Email:sales@taloschina.com  
Web:www.chinatalos.com

Supplier of Draft Beer Dispensing Equipment and System Solutions

**Talos**  
Every Field has its Master

## Contents

Summary .....	2
1. Safety Cautions .....	3
2. Storage and Transportation Instructions .....	4
3. Unpacking Inspection .....	4
4. Installation and Operation Instructions .....	5
4.1 System Components .....	5
4.2 Product Instructions .....	5
4.3 Power on Operation.....	6
4.3.1 Connect Power and Install Drip Tray .....	6
4.3.2 Turn on the Power Switch .....	6
4.4 LED Light Switch .....	7
4.5 Operating Instructions .....	7
4.6 Replace the Keg .....	10
4.7 Collect the Keg .....	11
5. Technical Parameter .....	11
5.1 Performance and Shape Parameters .....	11
5.2 Working Principle .....	12
6. Repair and Maintenance .....	13
6.1 Maintenance Of Cooling Tank .....	13
6.2 Maintenance of Surface and Drip Tray .....	13
7. Fault Identification and Troubleshooting .....	14
8. Packing List .....	14

## OVERVIEW

This instruction manual is an important part of the product, Please keep the product manual properly.

Please read this manual carefully before installation, use and maintain the equipment correctly, it's Talos Capsule-10L Commercial Dispenser, it can only be used for designated purposes.

The manufacturer does not assume any responsibility for any losses caused by incorrect installation or irregular use.

In order to better serve customers, TALOS will continue to develop more models, while continuously optimizing and upgrading products, the quality may slightly improve the appearance and component details. If there are differences, we will not notify you separately. There is no obligation and responsibility.

If you have any questions, please contact the TALOS manufacturer, service call: +86 576 87498132

## 1. Safety Cautions



Do not use multiple power strips, which may cause overheating or fire.



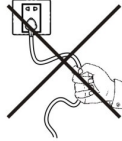
Do not place heavy objects on the wires.



There should be no foreign matter or wire entanglement on the wire.



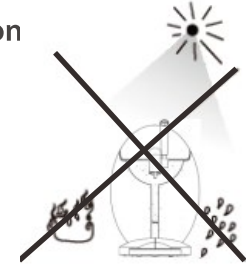
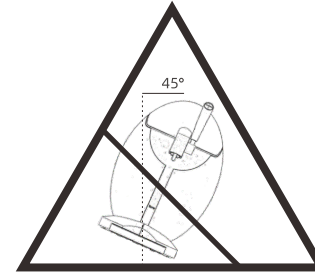
Do not operate the power plug with wet hand.



When unplugging the power plug, please hold the plug body and pull it out, not pull out the plug by the power cord, otherwise the power cord may be damaged.

- ①The power supply voltage must be kept within the rated voltage range required on the machine nameplate, If it exceeds this power The pressure range may cause smoke, fire, mechanical failure or inoperability.
- ②The electrical power supply must be entrusted to a professional company or personnel to construct according to the rated voltage of the machine.
- ③Please use a socket that can be connected to the ground terminal, and make sure that the ground wire on the side of the socket is well connected.
- ④The socket must meet or exceed the rated current requirement of the machine.
- ⑤When installing, make sure that the wires cannot be pressed by the machine or by heavy objects. It can't be entangled by other objects.

## 2. Storage and Transportation Instruction



keep away from heat sources and avoid direct sunlight.  
do not work in humid environment.

- ①Pack the machine in a professional carton before shipping.
- ②Place the boxes packed in cartons horizontally and evenly on the vehicle. And fix it well to prevent vehicles from driving, the box collides, falls, rolls over and tilts.
- ③Wear gloves during transportation, hold the bottom plate, and move the machine. Try to keep the cabinet upright, not tilted more than 45°, and avoid placing it horizontally or upside down.
- ④Store the machine on a flat table, the indoor temperature should be within +5° ~ +40°. Make sure no acidic, alkaline or gaseous fume in the air.

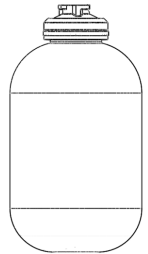
## 3. Unpacking Inspection

**Check the machine after unpacking it.**

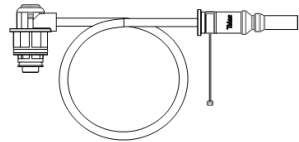
- ①If the outer packaging is severely damaged, reject it or contact us, please.
- ②Do not cut the knife too deep into the carton when cutting, to avoid scratching the appearance of the product;
- ③If the appearance of machine is damaged at the factory or during transportation, contact us for processing, please.
- ④Count the number of products, if there is any missing, contact us, please.

## 4. Installation and operation instructions

### 4.1 Components (to be purchased separately)

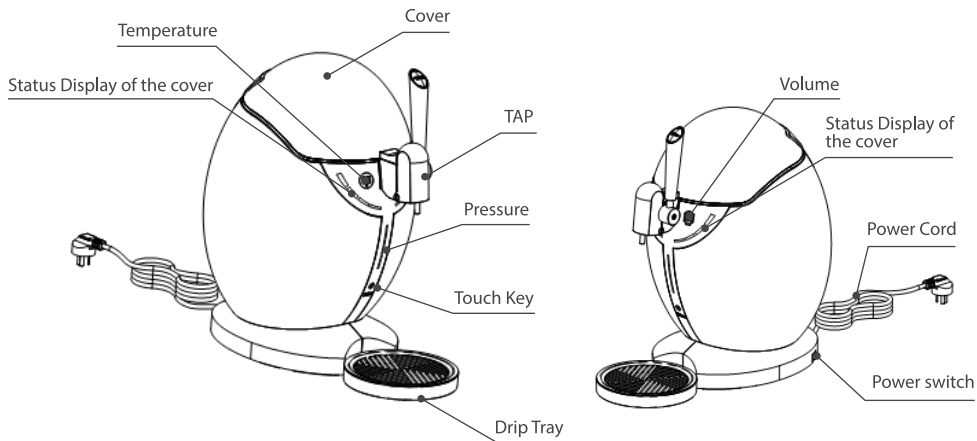


3L Talos Keg



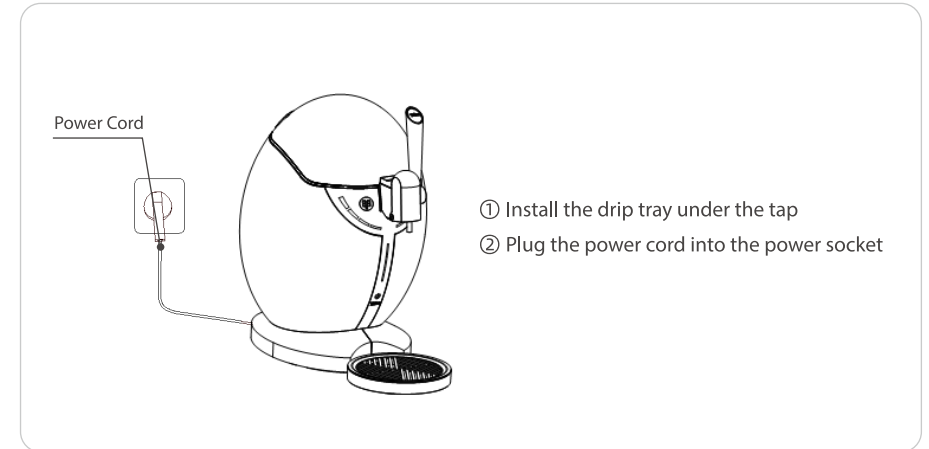
Disposable Beer Tube ( 390mm )

### 4.2 Product Instructions

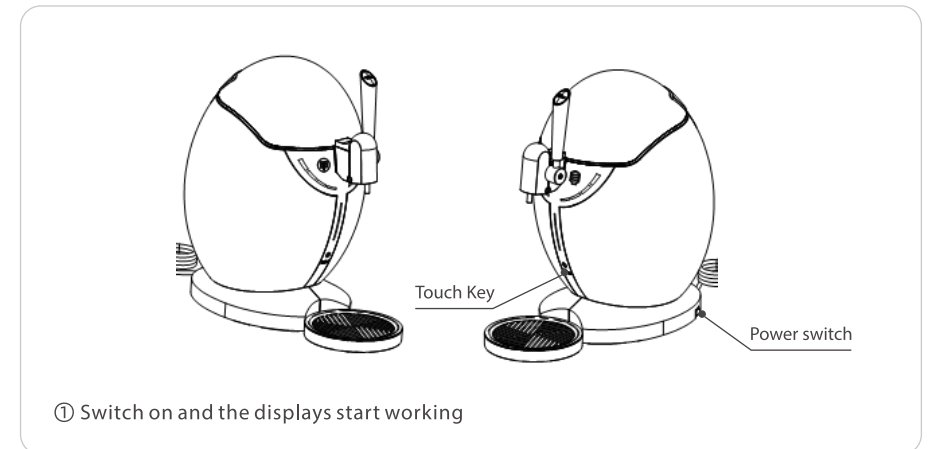


## 4.3 Starting Up Instructions

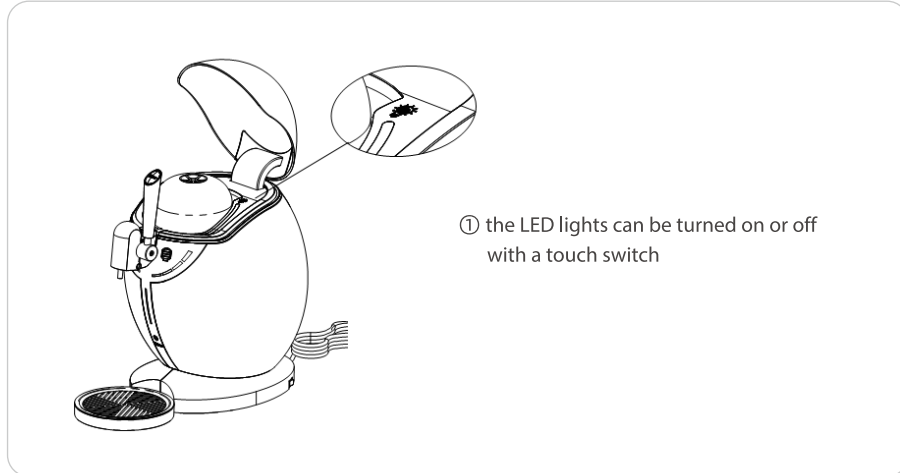
### 4.3.1 Connect the power and install the drip tray



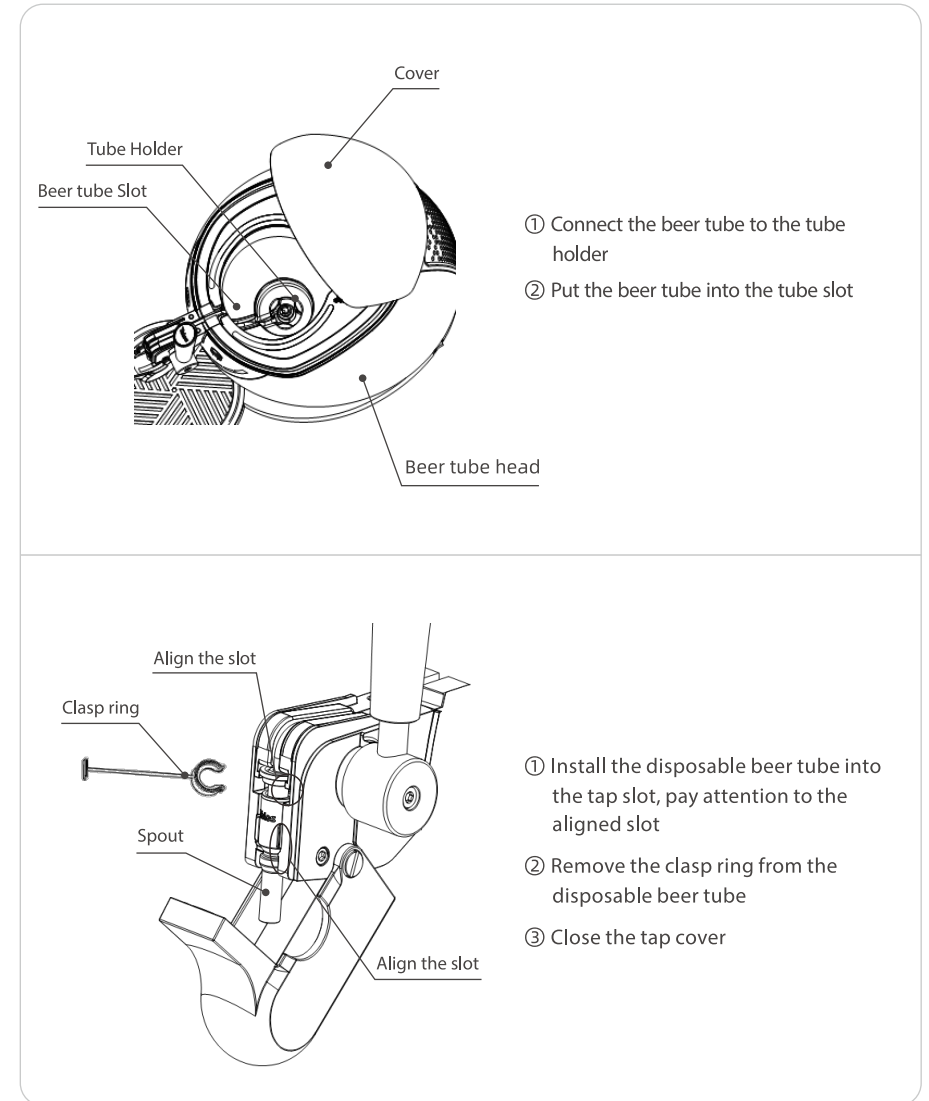
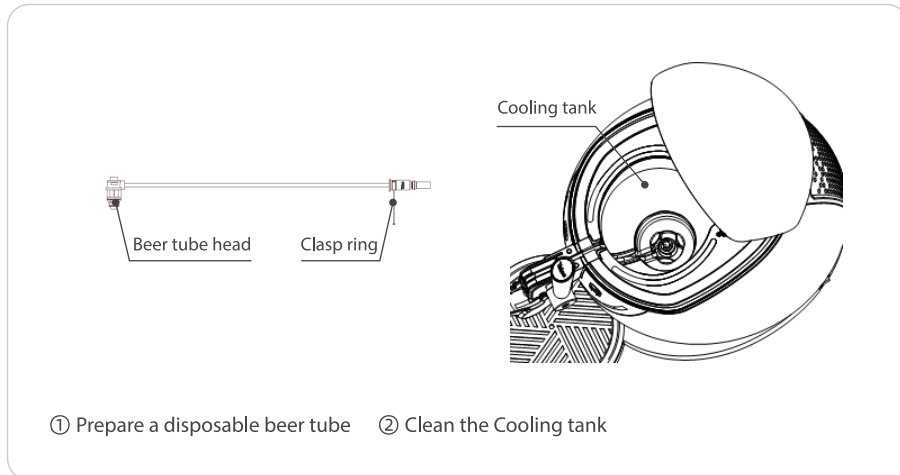
### 4.3.2 Power Starting Up

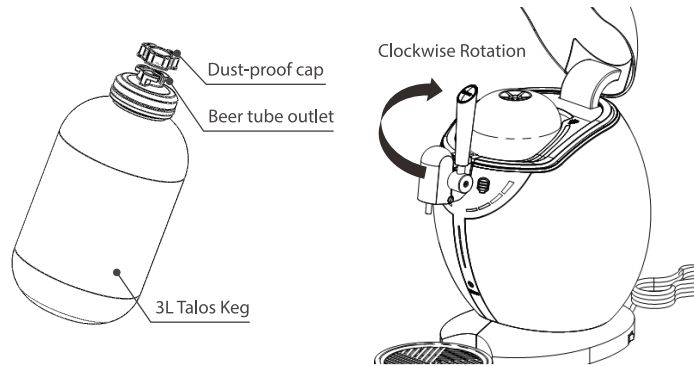


## 4.4 LED Switch

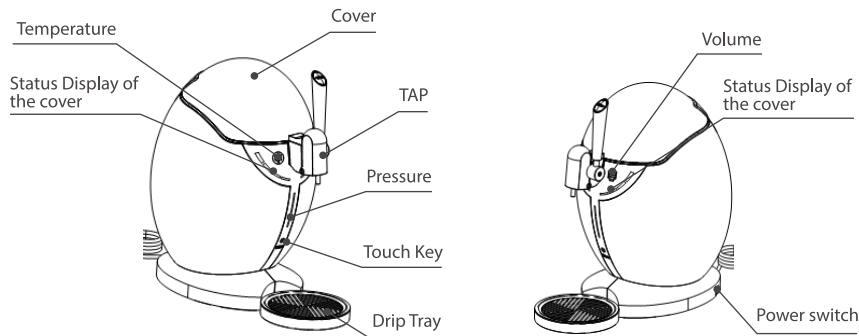


## 4.5 Operation Instructions



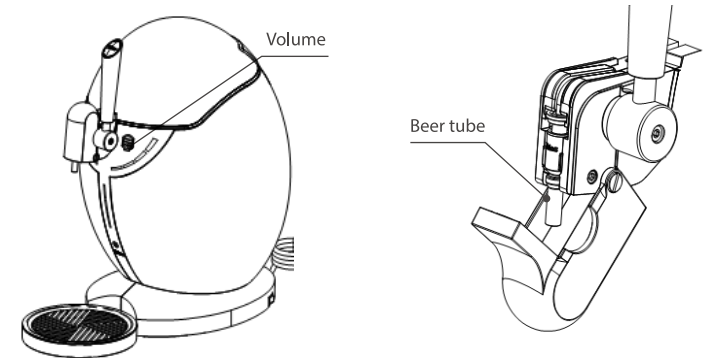


- ① Remove the dust-proof cap from the 3L keg
- ② Disinfect the keg head with alcohol
- ③ Connect the keg onto the beer tube head inside the dispenser and turn clockwise.

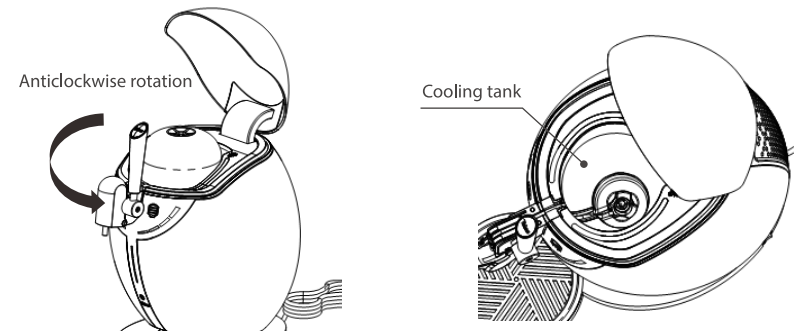


- ① Start cooling: close the cover and touch the Touch Key, displays change from red to blue.
- ② Tapping Operation: air compressor starts to work when the Touch Key is blue, stops working When the display of pressure is blue. During the tapping, when the display turns to red, the air compressor will restart to supply pressure for the keg.

## 4.6 Replace Talos keg

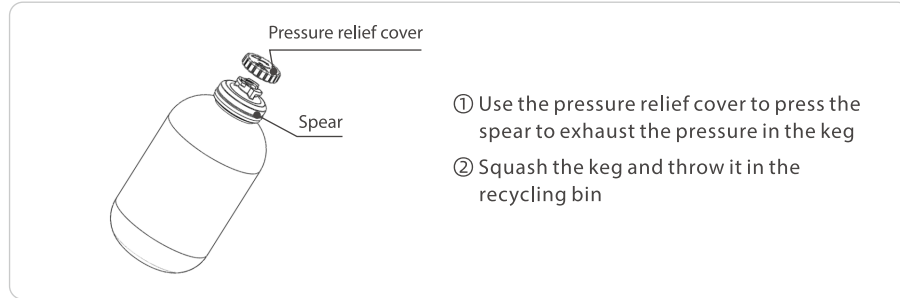


- ① When the display shows the keg is empty, open the tap cover and take off the beer tube.



- ① Open the cover, the pressure inside the keg will be released automatically.
- ② After pressure relief, remove the keg and beer tube, the keg should be rotated counterclockwise and lifted upward.
- ③ Clean the cooling tank after keg removed.

## 4.7 Recycling

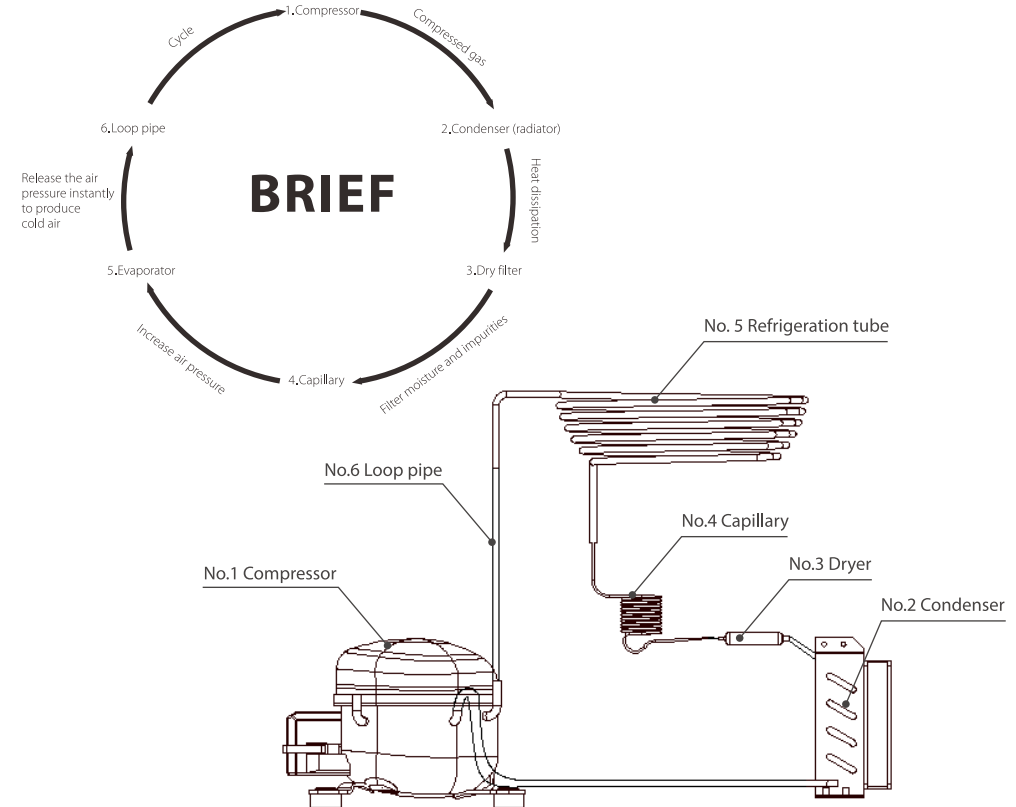


## 5. Technical parameter

### 5.1 Performance and appearance parameters

Product Name	PIDAN( Home Dispenser for 3L Talos Keg)	
Part No.	1080341	
Cooling System	Direct cooling	
MAX TAP	1	
Outlet temperature (°C)	3 ~ 10	
Work pressure (bar)	0.5 Start	0.9 Stop
Refrigeration (°C)	5°C Start	0°C Stop
Voltage (V)	220	
Frequency (Hz)	50	
Current (A)	0.4	
Power (W)	90	
Compressor (Hp)	1/25	
Refrigerant (g)	R600(25g)	
Demensions (mm)	495x310x480	
Net weight (Kg)	12.5	

## 5.2 Working principle

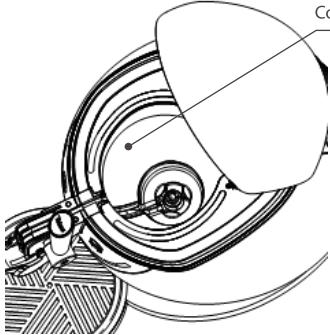


**Working principle:** The refrigerant is compressed by the No. 1 compressor, enters the No. 2 condenser to cool down, enters the No. 3 filter drier for filtration and drying, pressurizes through the No. 4 capillary, and then enters the No. 5 refrigeration tube to generate cold air, and enters 6. No. loop pipe to the compressor for recirculation.

## 6. Maintenance method

( Note: Turn off the switch and unplug the power plug for all operations )

### 6.1 Cooling cabin maintenance



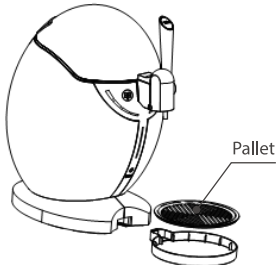
Cooling aluminum block

Wipe clean the water drops on the cooling aluminum block before replacing the keg. Use a damp cloth to wipe the cooling aluminum block, and it is forbidden to rinse with water.

### 6.2 Maintenance of shell and drip tray



Use a wet towel to wipe off the stains on the shell, and then use a dry towel to dry the water.



Take out the cover of drip tray, pour out the beer, clean the drip tray and the cover, and put it back in place.

## 7. Fault identification and troubleshooting

No.	Abnormal phenomenon	Cause analysis	Exclusion method	Remarks
1	Air pump does not work	Air pump power is not turned on	Check whether the touch key turns blue Check whether the cover is properly closed	
		Limit switch out of order	The touch key displays blue, when the cover is closed, the status indicator turns red.	
		Damaged air pump	The touch key display and the status indicator turn blue, contact factory for repair.	
2	The air pump does not stop	If the keg is not installed in place	The pressure indicator does not light up when the air compressor is working, check whether the keg is properly installed.	
		Air intake core leaks	After the air compressor stops working the pressure is falling rapidly without pouring, replace the O-ring on the gas-in connector.	
3	The keg cannot be taken out	Unfinished pressure relief	Restart the cooler, open the cover and pressure relief begins.	
		Damaged relief valve	Open the cover while the power is on, with red indicator light and no changes on pressure displayed, pressure can not be relieved.	
4	The faucet cannot be turned off	The disposable tube cannot be reset	Open the faucet cover to confirm whether the disposable tube is aligned with the card slot. If it is aligned, the tube will be damaged.	
5	No beer	Whether the disposable tube is installed	Open the faucet cover to check if the card position is correct	
		Whether the disposable tube is installed correctly on the faucet	Open the faucet cover to check whether the position of the tube and the card slot is correct	
		Blocked disposable tube	After opening the faucet cover, turn the faucet handle to observe whether the outlet of the disposable tube is active	
6	The faucet cannot tap beer	Incorrect installation position of disposable tube	Open the faucet cover to check the position of the tube and the card slot, and reinstall	

## 8. Packing information

Name	Unit	Quantity	Remarks
PIDAN	Pc	1	Drip tray
Warranty Card\ Quality Certificate	Copy	1	
Operating Instructions	Copy	1	
Accessories ( O-ring )	Set	3	